

The Specification of IR LED Illuminator

GS-LED-D180

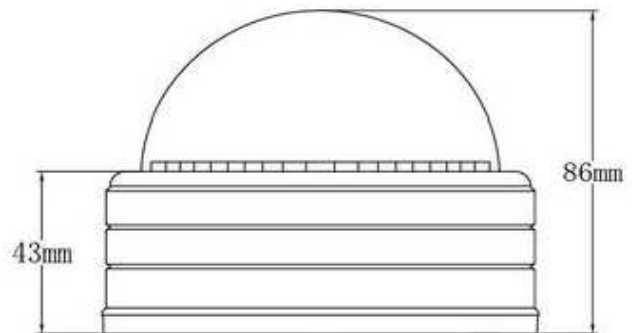
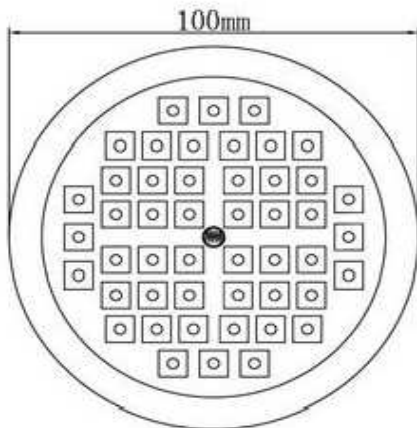
- 48pcs of strong powered IR LED
- 30m IR Night vision



Specifications:

| | |
|-----------------------|--|
| Item No. | LED-D180 |
| Input voltage | DC 12V |
| Wavelength | 850nm |
| Activate Lux | 10lux |
| Product features | IR LED |
| | 48pcs $\phi 8-20\mu$ wide angle of strong powered IR LED |
| | 30m IR night vision |
| | 160°light angle |
| Water Resistance | Suitable for a wide range of indoor lighting |
| Weight (g) | IP60 |
| Storage Temperature | 650 |
| Operating Temperature | -30~ +60°C RH95% Max |
| | -10~ +50°C RH95% Max |

Size/Effect:



GS-LED-A40

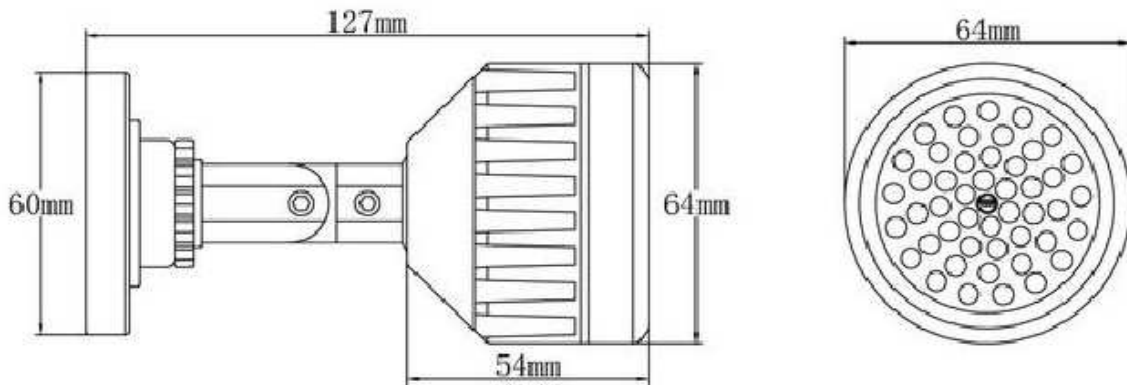
- 48pcs of strong powered IR LED
- 30M IR Night vision



Specifications:

| | |
|-----------------------|---|
| Item No. | LED-A40 |
| Input voltage | DC 12V |
| Wavelength | 850nm |
| Activate Lux | 10lux |
| Product features | IR LED |
| | 48pcs $\phi 5-14\mu$ of strong powered IR LED |
| | 30m IR night vision |
| | 60°/30°/15°light angle is optional |
| | Suitable for long distance IR illumination |
| Water Resistance | IP66 |
| Weight (g) | 550 |
| Storage Temperature | -30~ +60°C RH95% Max |
| Operating Temperature | -10~ +50°C RH95% Max |

Size/Effect:



GS-LED-A90

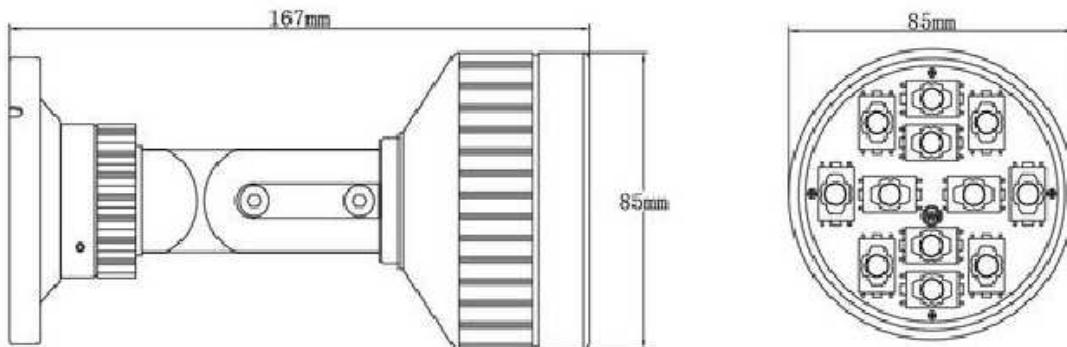
- 12pcs of strong powered IR LED
- 50M IR Night vision



Specifications:

| | |
|-----------------------|---|
| Item No. | LED-A90 |
| Input voltage | DC 12V |
| Wavelength | 850nm |
| Activate Lux | 10lux |
| Product features | IR LED |
| | 12pcs ϕ 10-24 μ of strong powered IR LED |
| | 50m IR night vision |
| | 60°/30°/15°light angle is optional |
| | Suitable for long distance IR illumination |
| Water Resistance | IP66 |
| Weight (g) | 750 |
| Storage Temperature | -30~ +60°C RH95% Max |
| Operating Temperature | -10~ +50°C RH95% Max |

Size/Effect:



GS-LED-B80

- 114pcs of strong powered IR LED
- 60M IR Night vision



Specifications:

| | |
|----------------------|---|
| Item No. | LED-B80 |
| Input voltage | DC 12V |
| Wavelength | 850nm |
| Activate Lux | 10lux |
| Product features | IR LED |
| | 114pcs ϕ 8-14 μ of strong powered IR LED |
| | 60m IR night vision |
| | 45°/30°/15°light angle is optional |
| | Suitable for long distance IR illumination |
| Water Resistance | IP66 |
| Weight (g) | 1300 |
| Storage Temperature | -30~ +60°C RH95% Max |
| OperatingTemperature | -10~ +50°C RH95% Max |

Size: Size:150(L)*120(H)*88(W)

GS-LED-B130

- 198pcs of strong powered IR LED
- 130M IR Night vision



Specifications:

| | |
|----------------------|---|
| Item No. | KLED-B130 |
| Input voltage | DC 12V |
| Wavelength | 850nm |
| Activate Lux | 10lux |
| Product features | IR LED |
| | 198pcs ϕ 8-14 μ of strong powered IR LED |
| | 130m IR night vision |
| | 60°/30°/15°light angle is optional |
| | Suitable for long distance IR illumination |
| Water Resistance | IP66 |
| Weight (g) | 1600 |
| Storage Temperature | -30~ +60°C RH95% Max |
| OperatingTemperature | -10~ +50°C RH95% Max |

Size: 200(L)*143(H)*88(W)